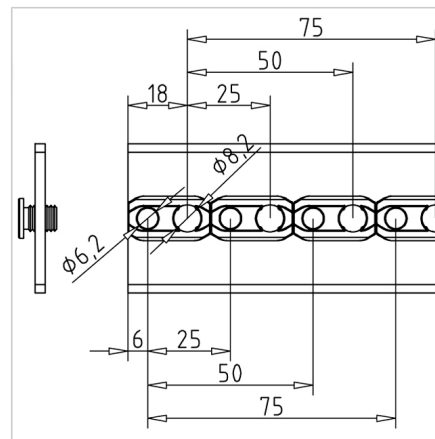
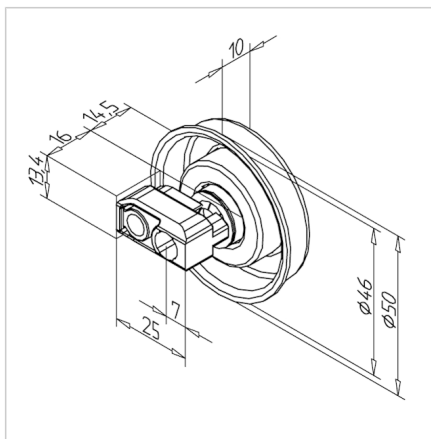


## SET LEŽAJEV ZA VALJ S 25

Šifra: 210893/0

[Povezava do izdelka →](#)



### Tehnični podatki / vključeni artikli

- Bearing bushing, steel, with ball bearing
- Locking clip, steel
- Roller carrier, ABS grey
- For conveyor rollers from 60 - 1000 mm
- Load/roller max. 33 kg
- Weight = 0.056 kg/piece

### Uporaba

- Valjčne proge neomejene dolžine
- Za izdelavo transportnega valja je potrebno:  
2x komplet ležajev, ABS  
1x cev ABS, aluminij ali nerjaveče jeklo v ustrezni dolžini  
1x jekleni gred  $\varnothing 8$  mm **ident št.** 17.1840/0 v ustrezni dolžini  
(Za podatke o dolžini cevi in gredi glej ident št. [210891/0](#) ali [210895/0](#))

### Navodila za uporabo / način montaže

- Assembly of the roller carrier on all profiles of profile series 45 possible
- Press bearing bush into the tube (deburr the inside of the tube generously for improved assembly)
- Install shaft  $\varnothing 8$  mm and secure with locking clip
- Place roller carrier on axle and insert in profile groove
- For axial securing of the roller carriers, we recommend fixing the T-slot bars or square nuts in the profile groove with setscrews or close off the profile end with an end cap AL