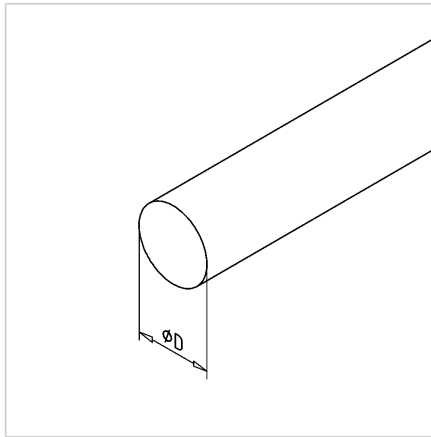
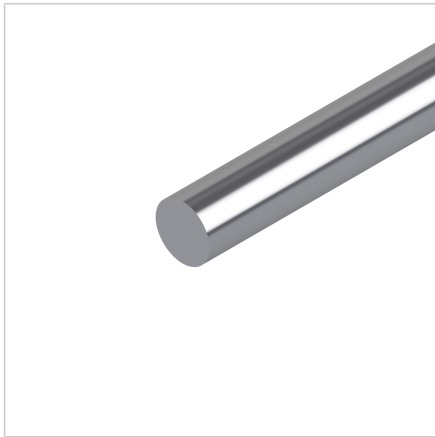


SHAFT 15 Cf53 h6

Code: 171742/1

Shafts $\varnothing 15$ mm h6 CF 53 for linear motion systems. Strong round guides deliver precision, load resistance, and long-lasting reliability.

[Link to the product →](#)



Technical data/items supplied

- Steel, pulled, hardened, polished
- Cf.53, hardened to 62 ± 4 HRC, polished h6
- Weight = 1.390 kg/m
- Bar length = 6 m

Applications

- Linear guides with ball or sliding bushings
- Mechanical elements or drive elements