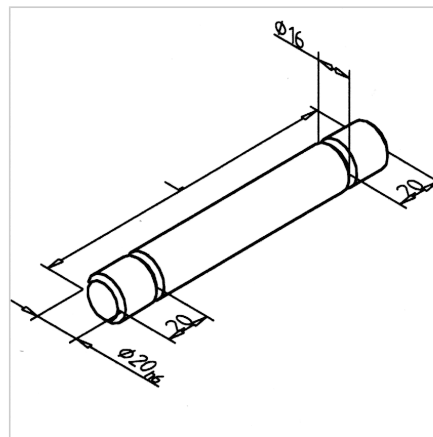
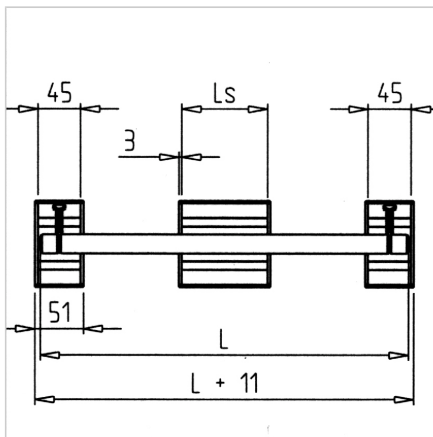


SHAFT D 20 FOR LINEAR GUIDE LB L = MM

Code: 280154/0

Shaft D 20 for LB linear guide ensures precise and stable linear motion.

[Link to the product →](#)



Technical data/items supplied

- Steel
- Cf53, surface-hardened to 60 + 5 HRC and pre-sharpened
- Tolerance h6
- Processed for shaft support block WB
- **Please specify dimension L**
- Weight = 2,470 kg/m

Applications

- Insert in shaft support blocks
- Clamps with threaded pin M8 x 35 **part no.** 21.1304/1

Assembly

- Central shaft clamping in all shaft support blocks of the MiniTec linear systems LB