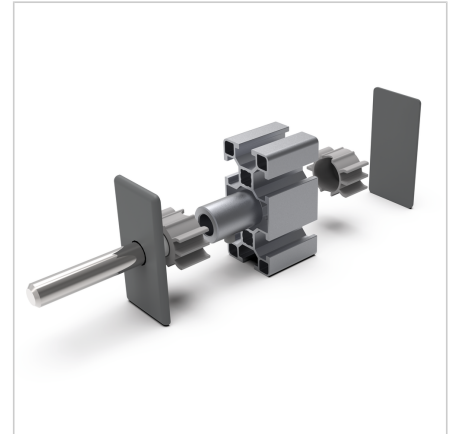
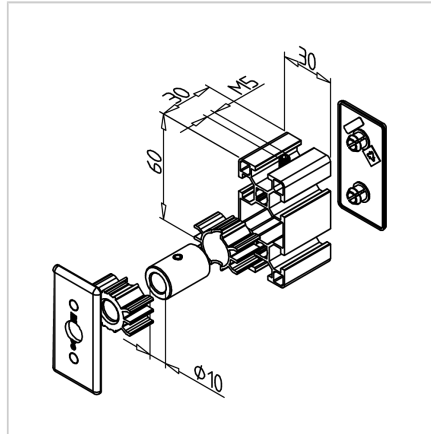
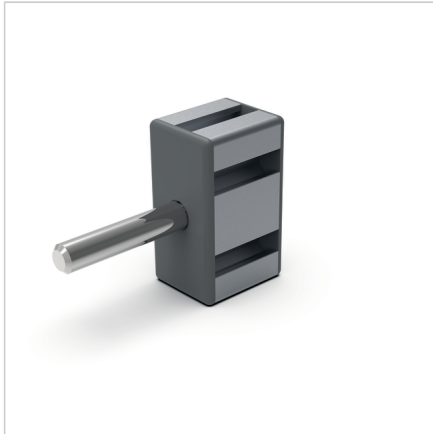


SHAFT SUPPORT BLOCK WB 30X60

Code: 280392/0

Shaft support block WB 30x60 provides stable support and precise guidance for shafts in linear and mechanical systems.

[Link to the product →](#)



Technical data/items supplied

- Aluminium, anodized E6/EV1
- Profile 30x60
- Fully assembled with centering bushing
- Shaft side with end cap 30x60 Z, grey
- Outside with end cap 30x60, grey
- **Other lengths on request**
- Weight = 0.059 kg/piece

Applications

- Bearing of shafts and fastening of shafts
Ø 10 mm in MiniTec linear system LB 30 x60

Assembly

- Insert shaft
- Clamp with set screw