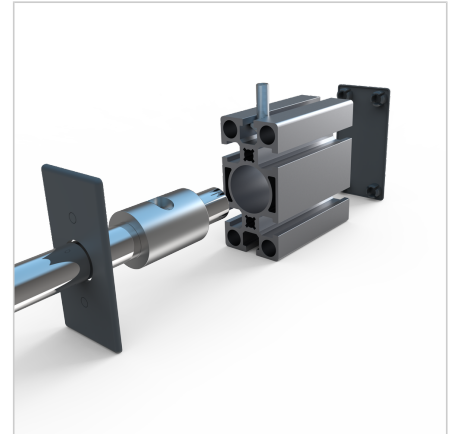
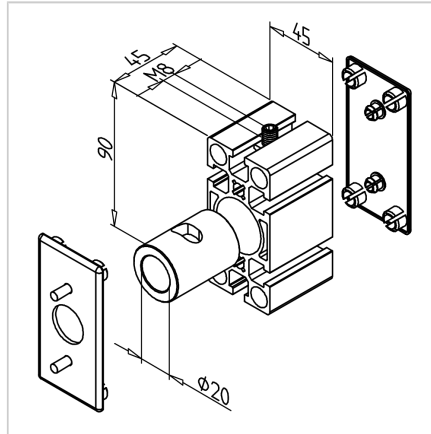
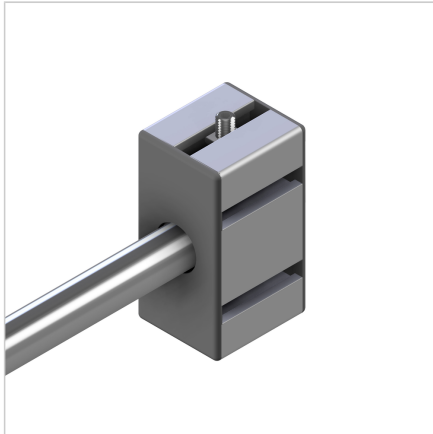


## SHAFT SUPPORT WB 45 L = 45 MM GREY

Code: 280151/0

Shaft support block WB 45 provides stable support and precise guidance for shafts in linear and mechanical systems.

[Link to the product →](#)



### Technical data/items supplied

- Aluminium, anodized E6/EV1
- Profile 45 X 90 S
- Fully assembled with centering bushing
- Shaft side with end cap LB 45, grey
- Outer side with end cap 45 x 90, grey
- Total length including cover cap: 51 mm
- Weight = 0.266 kg/piece

### Applications

- Bearing and fastening of shaft  $\varnothing 20$  mm in MiniTec-Linear systems LB 45

### Assembly

- Insert shaft
- Tighten with set screw M8 x 35