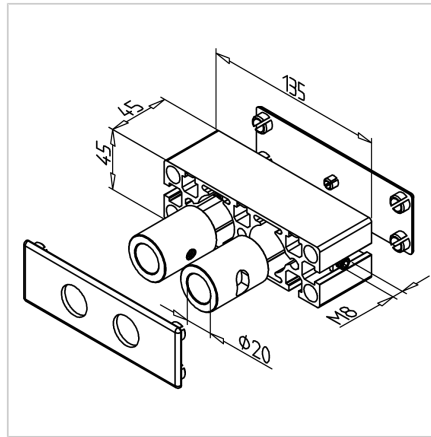


SHAFT SUPPORT WB 45X135 L = 45 MM GREY

Code: 280157/0

Shaft support block WB 45 x 135 provides stable support and precise guidance for shafts in linear and mechanical systems.

[Link to the product →](#)



Technical data/items supplied

- Aluminium, anodized E6/EV1
- Profile 45 x 135
- Fully assembled with centering bushing
- Shaft side with end cap LB 45 x 135, grey
- Outer side with end cap 45 x 135, grey
- Weight = 0.416 kg/piece

Applications

- Bearing and fastening of shaft Ø 20 mm in MiniTec-Linear systems LB 45 x 135

Assembly

- Insert shaft
- Tighten with set screw M8 x 35