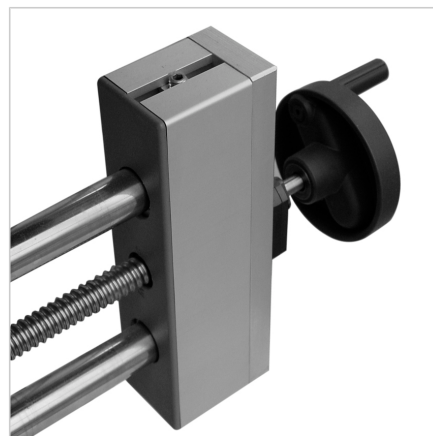
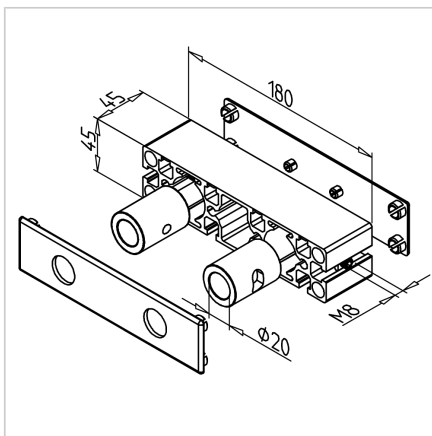


SHAFT SUPPORT WB 45X180 L = 45 MM GREY

Code: 280159/0

Shaft support block WB 45 x 180 provides stable support and precise guidance for shafts in linear and mechanical systems.

[Link to the product →](#)



Technical data/items supplied

- Aluminium, anodized E6/EV1
- Profile 45 x 180
- Fully assembled with centering bushing
- Shaft side with end cap LB 45 x 180, grey
- Outer side with end cap 45 x 180, grey
- Weight = 0.486 kg/piece

Applications

- Bearing and fastening of shaft $\varnothing 20$ mm in MiniTec-Linear systems LB 45 x 180

Assembly

- Insert shaft
- Tighten with set screw M8 x 35