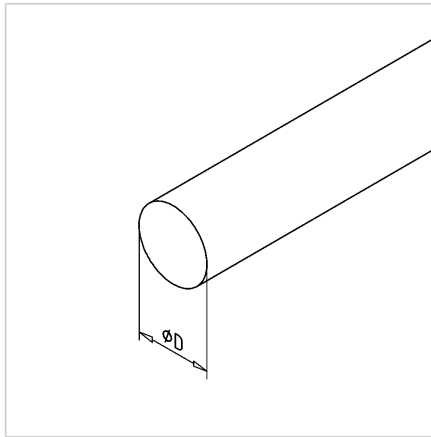
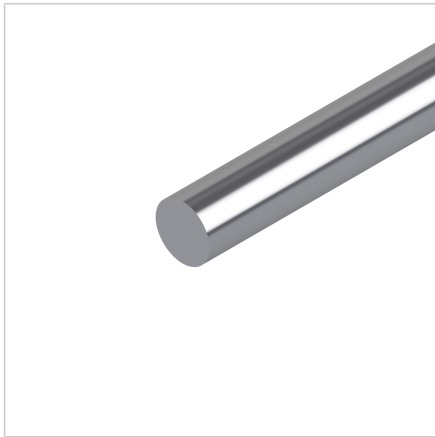


SHAFT SUPPORTING PROFILE 12

Code: 171850/0

Shafts $\varnothing 8$ mm h6 X90 for linear motion systems. Strong round guides deliver precision, load resistance, and long-lasting reliability.

[Link to the product →](#)



Technical data/items supplied

- Stainless steel, pulled, hardened, polished
- X90, hardened to 53- 60 HRC, polished h6
- Weight = 0.400 kg/m
- Bar length = 6 m

Applications

- Linear guides with ball or sliding bushings
- Mechanical elements or drive elements