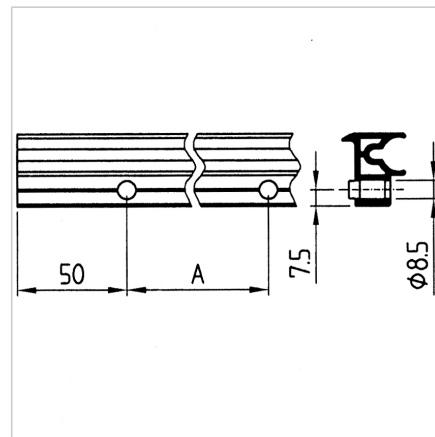
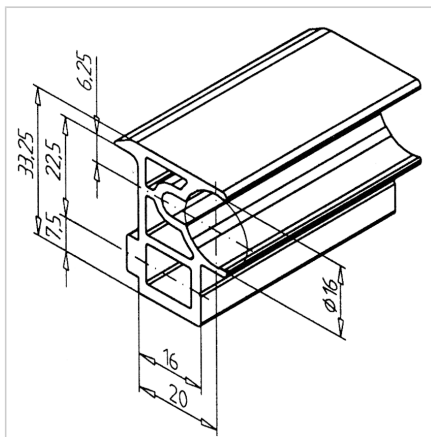
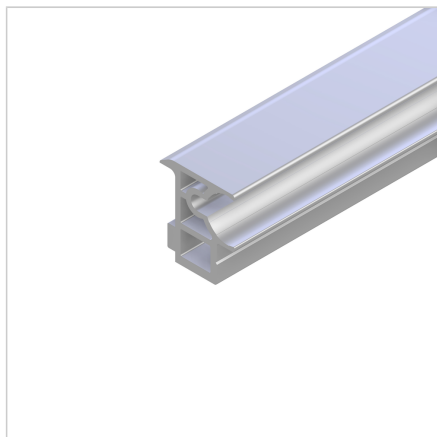


SHAFT SUPPORTING PROFILE LR16

Code: 280019/0

Aluminum profile for LR 16 shaft support for stable guidance and support in linear guides.

[Link to the product →](#)



Technical data/items supplied

- Aluminium, extruded, anodized E6/EV1
- Design with bore at **part no. 280019/1** grid dimension A = 250 mm
- Weight = 0.845 kg/m
- Bar length = 6 m

Applications

- MiniTec linear guide LR16

Assembly

- Bore $\phi 8.5$ in the shaft supporting profile
- Recommended distance: 50 mm from the edge, then approximately every 200 - 300 mm
- Fasten to the support profile using cylinder screw M8 x 30 and sliding nut M8
- Hammer the shaft into the rod holder profile with a plastic hammer