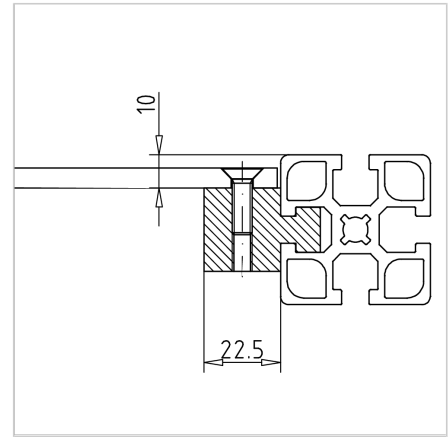
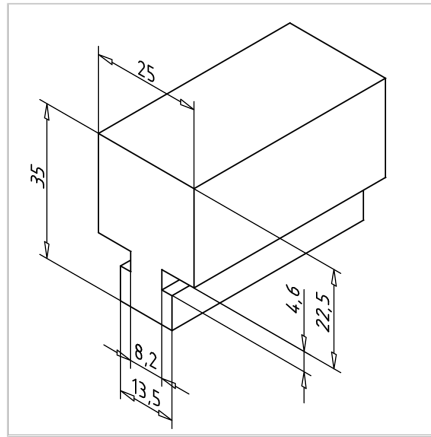
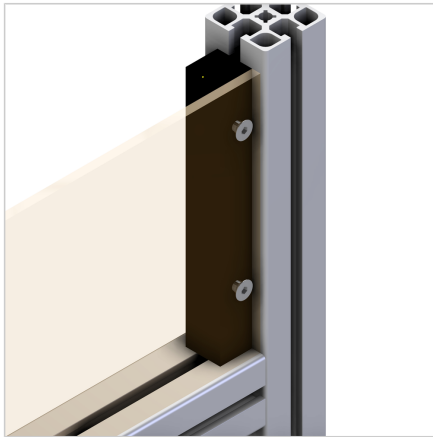


## SLIDE BAR 23

Code: 221089/0

Slide rail 23 provides reliable support for sliding elements and initiator holders in profile constructions, ensuring smooth operation and system stability.

[Link to the product →](#)



### Technical data/items supplied

- PE-UHMW, black
- Particularly wear-resistant, impact-resistant and insensitive to scratches
- Weight = 0.670 kg/m
- Bar length = 2 m

### Applications

- Profile sled
- Slide supports, initiator holders
- Customer-friendly processing possible due to a greater addition of material

### Assembly

- Slide into profile groove
- To reduce friction in moving parts, we recommend using the slide rail in short pieces with a maximum length of 100 mm