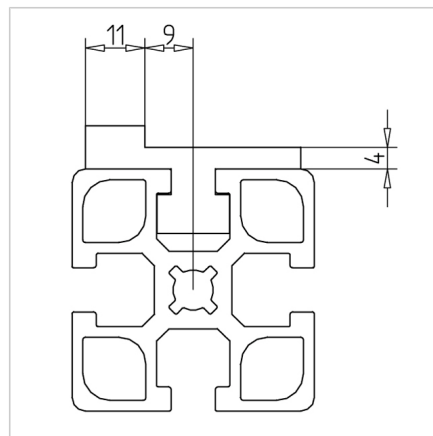
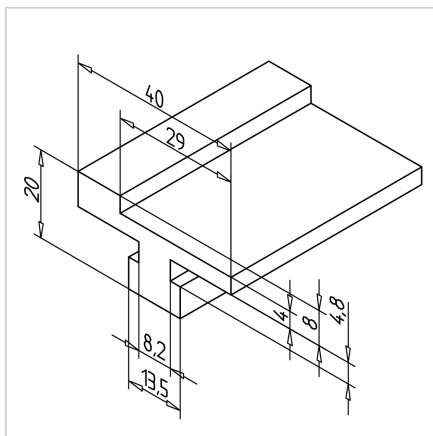
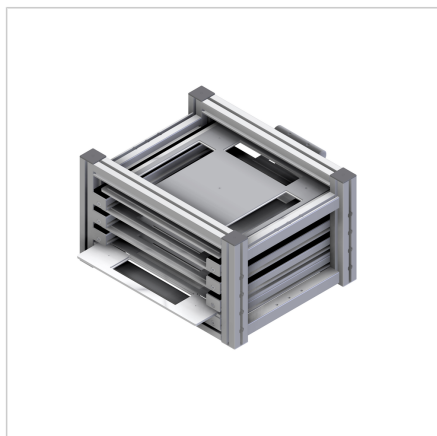


## SLIDE BAR 8-40 A

Code: 298012/0

Slide rail 8 - 40 A ensures smooth sliding of sliding doors, stable support for workpieces, and reliable guidance for lifting doors and pull-outs.

[Link to the product →](#)



### Technical data/items supplied

- PE-UHMW, black
- Particularly wear-resistant, impact-resistant and insensitive to scratches
- Weight = 0.317 kg/m
- Bar length = 2 m

### Applications

- Sliding support
- Workpiece bearing
- Guide for lifting doors
- Slides

### Assembly

- Slide into profile groove
- To reduce friction in moving parts, we recommend using the slide rail in short pieces with a maximum length of 100 mm