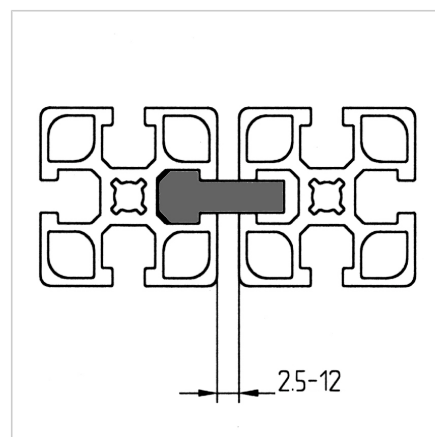
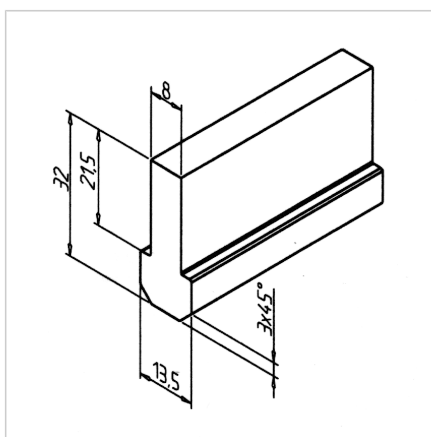
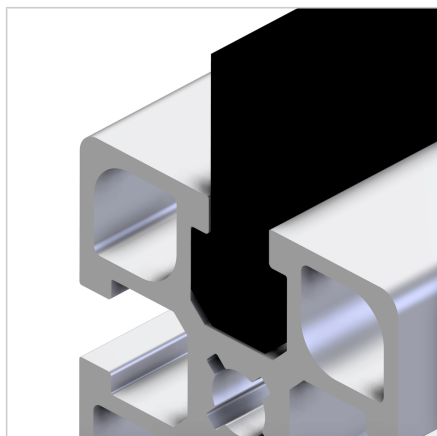


## SLIDE BAR 8 N

Code: 221085/0

Slide rail 8 N 45 for guiding sliding doors, pull-outs, and as a side guide for conveyor belts, highly resistant to wear, impact, and scratches.

[Link to the product →](#)



### Technical data/items supplied

- PE-UHMW, black
- Particularly wear-resistant, impact-resistant and insensitive to scratches
- Weight = 0.300 kg/m
- Bar length = 2 m

### Applications

- Guiding sliding doors, pull-outs, fixtures
- Lateral guide for conveyors

### Assembly

- Slide into profile groove
- To reduce friction in moving parts, we recommend using the slide rail in short pieces with a maximum length of 100 mm