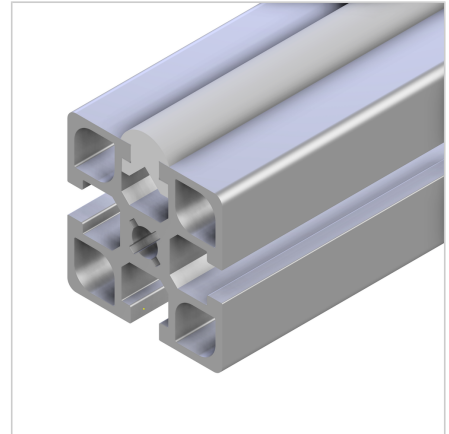
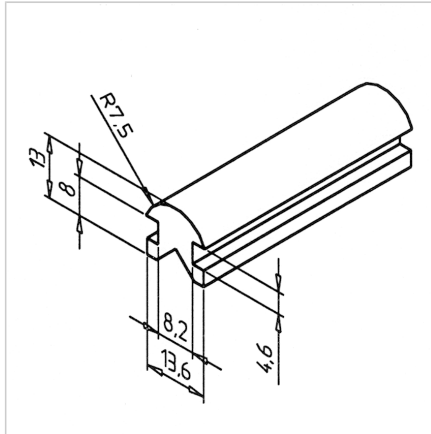


SLIDE BAR R L=2m

Code: 221104/0

Slide bar R for reliable guidance and smooth sliding of components within profile systems.

[Link to the product →](#)



Technical data/items supplied

- PE, white
- Particularly wear-resistant, impact-resistant and insensitive to scratches
- Weight = 0.115 kg/m
- Bar length = 2 m

Applications

- Lateral guides
- Support plates
- Sliding distance
- Jam tracks

Assembly

- Slide into profile groove
- Suitable for all profiles
- Secure slide strip at both ends with set screw or adjustable end caps