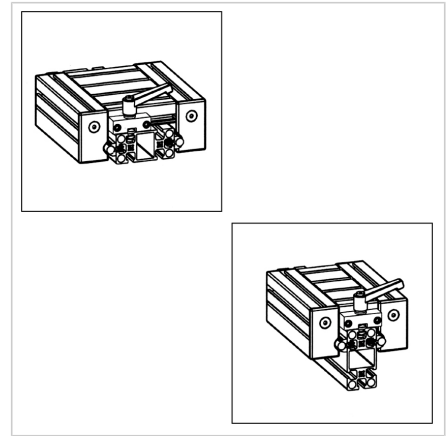
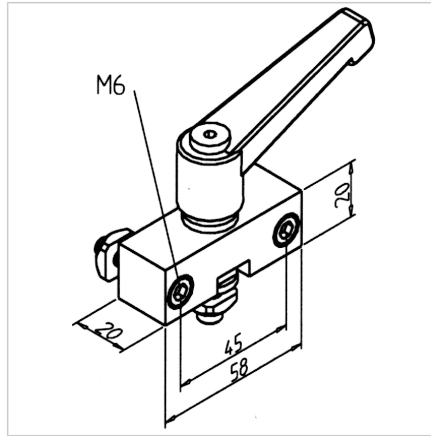
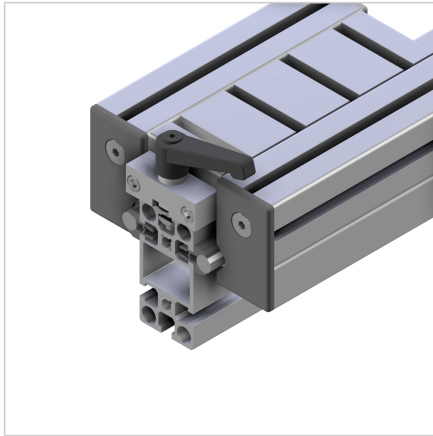


## SLIDE CLAMPING UNIT (TOP) LWG / LWN / LW

Code: 280270/0

[Link to the product →](#)



### Technical data/items supplied

- Aluminium, anodized E6/EV1
- With clamping device
- With fastening material steel, zinc plated
- Weight = 0.199 kg/piece

### Applications

- Clamping of MiniTec slide LW and slides LWN / LWG on rail surface
- Clamping of MiniTec adjusting units

### Assembly

- Preadjust clamping shaft and lead it in profile groove
- Insert plastic element
- Install the housing block
- Secure clamping lever with installation glue Loctite 243