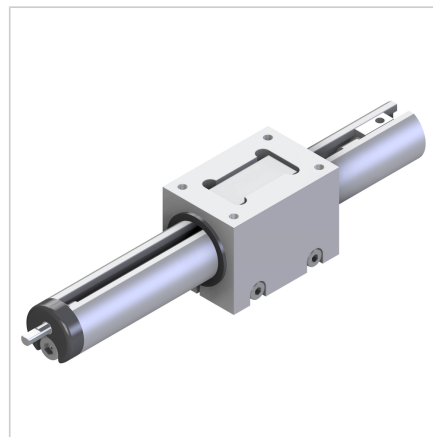
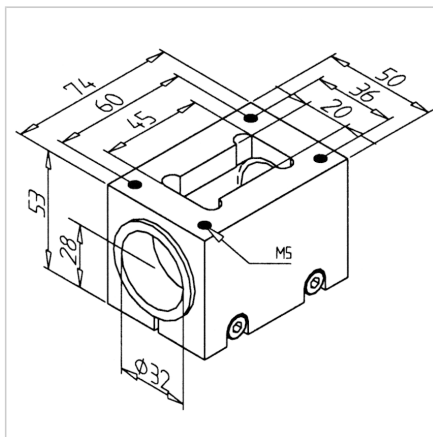
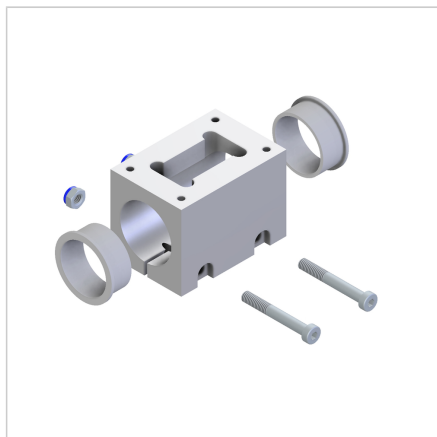


SLIDE G32 FOR MINI-ADJUSTING UNIT 32

Code: 280355/0

Slide unit G 32 allows fast and precise adjustment of light barriers, reflectors, and lateral guides.

[Link to the product →](#)



Technical data/items supplied

- Aluminium, anodized E6/EV1
- With low-friction sliding bearing
- Without adjusting units
- Weight = 0.314 kg/piece

Applications

- To adjust light barriers, reflectors, lateral guides etc.

Assembly

- Insert slide of mini-adjustment unit into sliding carriage and screw in the spindle
- Adjust with tensioning screws M6
- Fasten the spindle bearing to the handle profile 32