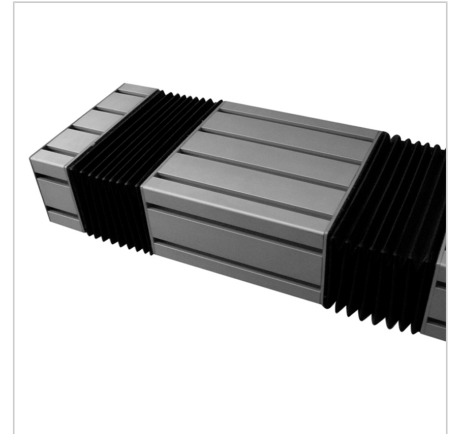
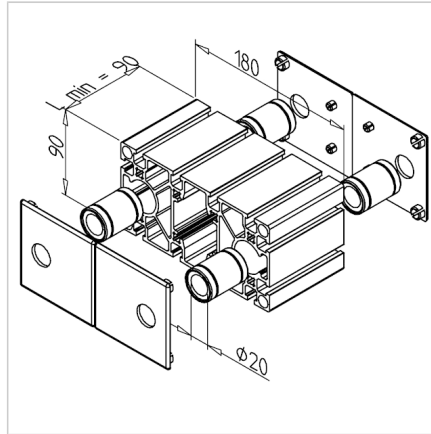
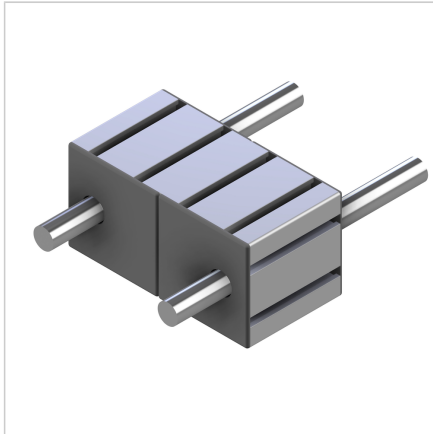


SLIDE LB 180 L=90MM GREY

Code: 280143/0

Linear carriage LB 180 provides precise linear motion for single or multi-axis linear systems in industrial applications.

[Link to the product →](#)



Technical data/items supplied

- Aluminium, anodized E6/EV1
- Standard length (L) 90 mm
- Profile 90 X 180 S
- Fully assembled with 4 ball bearing bushings LME 20 UU
- Profile face covered with end caps LB 180, grey
- **Other lengths on request**
- Weight = 1.500 kg/piece

Applications

- All MiniTec linear systems LB

Assembly

- Lead shaft through slide