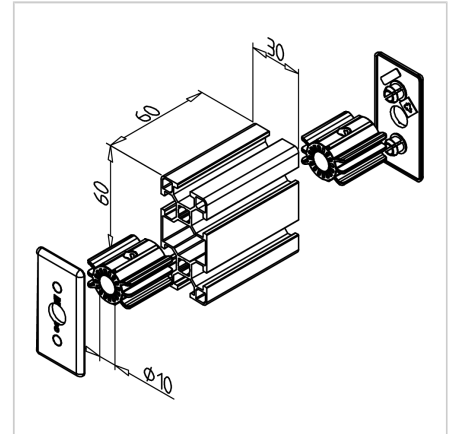
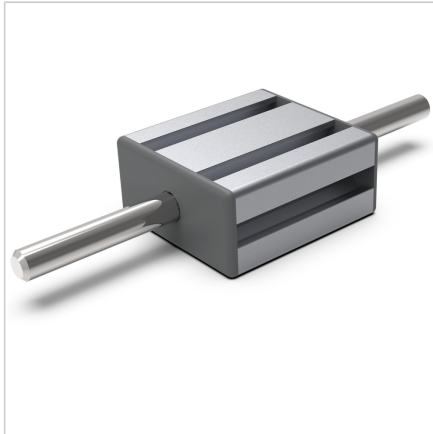


SLIDE LB 30x60

Code: 280391/0

Linear carriage LB 30x60 provides precise linear motion for single or multi-axis linear systems in industrial applications.

[Link to the product →](#)



Technical data/items supplied

- Aluminium, anodized E6/EV1
- Standard length (L) 60 mm
- Profile 30x60
- Completely installed with two slide bushings LB 30x60
- Profile end face closed with end caps LB 30x60, grey
- **Other lengths on request**
- Weight = 0.086 kg/piece

Applications

- All MiniTec linear systems LB

Assembly

- Lead shaft through slide