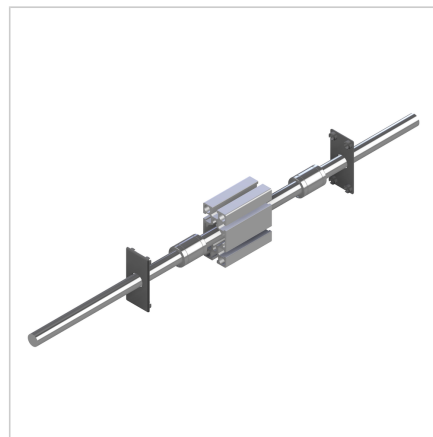
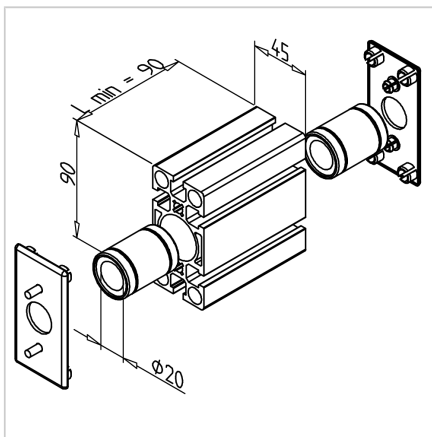
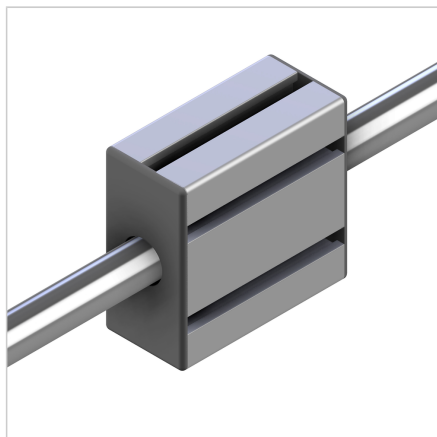


SLIDE LB 45 L=90MM GREY

Code: 280150/0

Linear carriage LB 45 provides precise linear motion for single or multi-axis linear systems in industrial applications.

[Link to the product →](#)



Technical data/items supplied

- Aluminium, anodized E6/EV1
- Standard length (L) 90 mm
- Profile 45 X 90 S
- Fully assembled with 2 ball bearing bushings LME 20 UU
- Profile closed on the front with cover plates LB 45
- **Other lengths on request**
- Weight = 0.550 kg/piece

Applications

- All MiniTec linear systems LB

Assembly

- Lead shaft through slide