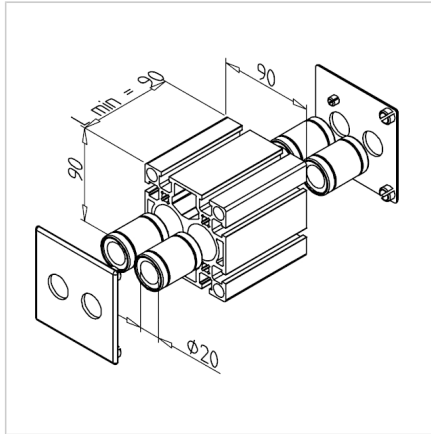
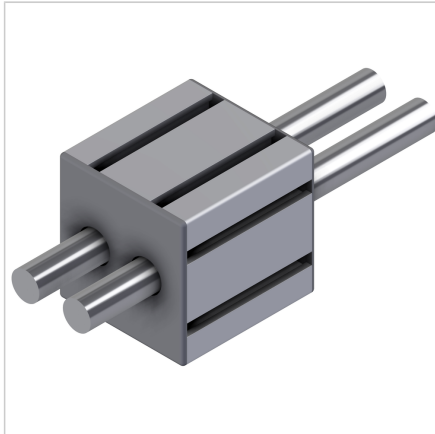


## SLIDE LB 90 L=90MM GREY

Code: 280152/0

Linear carriage LB 90 provides precise linear motion for single or multi-axis linear systems in industrial applications.

[Link to the product →](#)



### Technical data/items supplied

- Aluminium, anodized E6/EV1
- Standard length (L) 90 mm
- Profile 90 X 90 S
- Fully assembled with 4 ball bearing bushings LME 20 UU
- Profile face covered with end caps LB 90, grey
- **Other lengths on request**
- Weight = 1.070 kg/piece

### Applications

- All MiniTec linear systems LB

### Assembly

- Lead shaft through slide