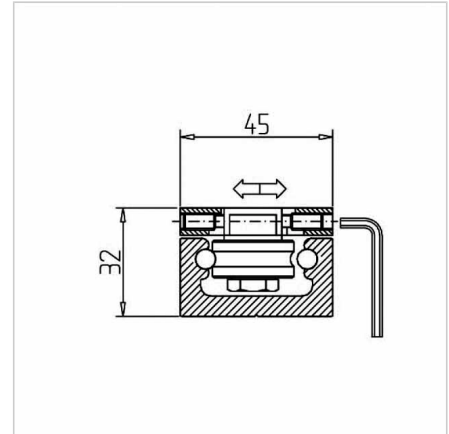
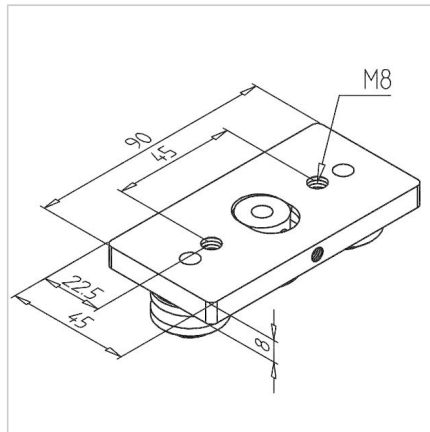


SLIDE LR 6 COMPACT STAINLESS

Code: 280148/0

LR 6 compact linear slide in stainless steel for precise, reliable, and quiet motion on linear guides.

[Link to the product →](#)



Technical data/items supplied

- Aluminium + steel
- 3 double row casters LR 6
- Installed with concentric mounting bolts
- Weight = 0.194 kg/piece

Applications

- MiniTec linear guide systems LR 6
- Handling devices
- Guide large drawers
- Doors
- Rail **part no. 280119/0**

Assembly

- Slip slide onto rail
- Adjust casters with an Allen wrench SW 2.5 free play