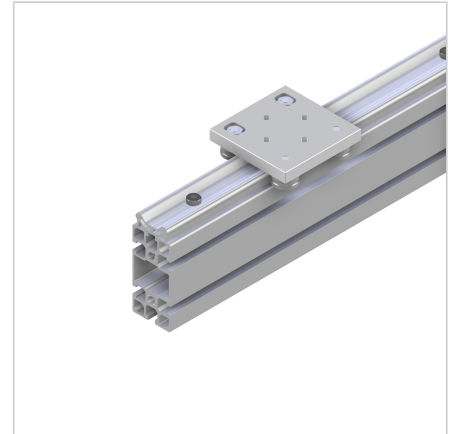
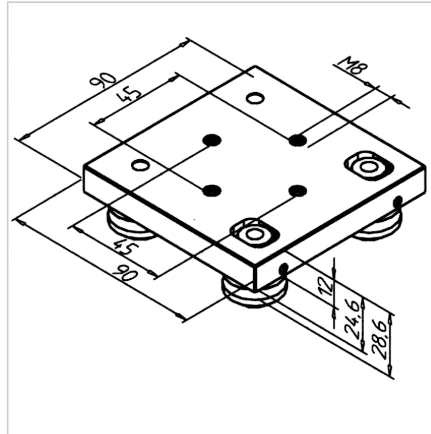
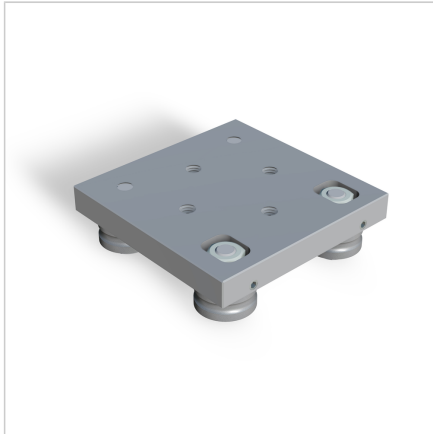


SLIDE LR 6 STAINLESS

Code: 280139/0

LR 6 linear slide in stainless steel for precise, reliable, and quiet motion on linear guides.

[Link to the product →](#)



Technical data/items supplied

- Aluminium + steel
- 4 double row casters LR 6
- Installed with concentric mounting bolts
- Weight = 0.400 kg/piece

Applications

- MiniTec linear guide systems LR 6
- Handling devices
- Doors
- For rail **part no. 280525/0**

Assembly

- Slip slide onto rail
- Adjust casters with an Allen wrench SW 2.5 free play
- Tighten casters with 15 Nm
- Saturate greasing felts with appropriate oil