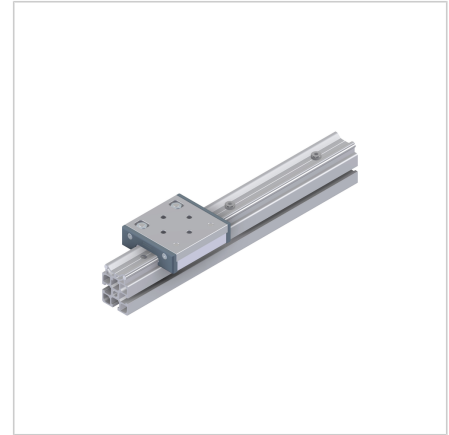
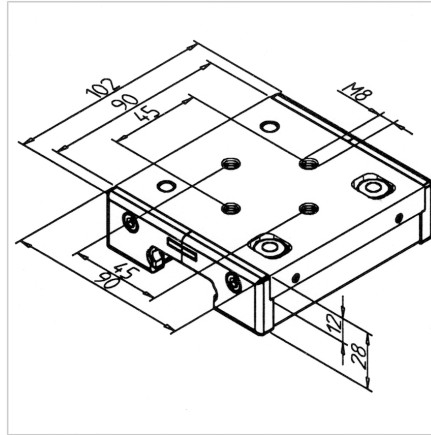


SLIDE LR 6 WITH COVER

Code: 280138/1

LR 6 linear slide with cover for reliable and precise motion on linear guides, protecting against dust and debris in extreme environments.

[Link to the product →](#)



Technical data/items supplied

- Aluminium, anodized E6/EV1
- 4 double row casters LR 6
- Installed with concentric mounting bolts
- Covers with lubricating felt
- Stainless version **part no. 280139/1**
- Weight = 0.458 kg/piece

Applications

- MiniTec linear guide systems LR 6
- Handling devices
- Guide large drawers
- Doors
- For rail **part no. 280525/0**

Assembly

- Slip slide onto rail
- Adjust casters with an Allen wrench SW 2.5 free play
- Tighten casters with 15 Nm
- Saturate greasing felts with appropriate oil