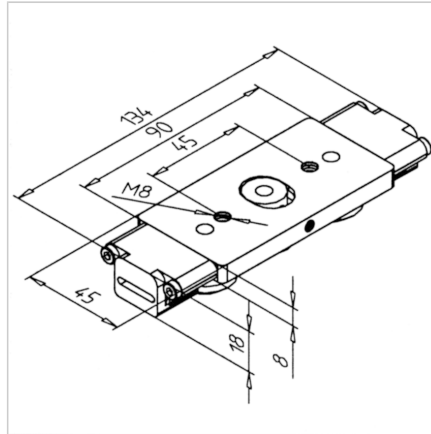


SLIDE LR 6 Z COMPACT

Code: 280520/0

LR 6 Z compact linear slide, designed for high precision and quiet operation of linear guides in industrial applications.

[Link to the product →](#)



Technical data/items supplied

- Aluminium, anodized E6/EV1
- Aluminum carriage plate, machined on all sides
- 3 double row casters LR 6
- Installed with concentric mounting bolts
- Stainless version **part no.** 280524/0
- Weight = 0.192 kg/piece

Applications

- MiniTec linear guide systems LR 6
- Material-handling in areas with shortage of space
- Fitting rail LR6 compact **part no.** 280119/0 and Timing belt pulley LR6

Assembly

- Slip slide onto rail
- Set the caster wheel with Allen wrench SW2 SW2.5 without play
- Set up the load to be carried on existing threads M8