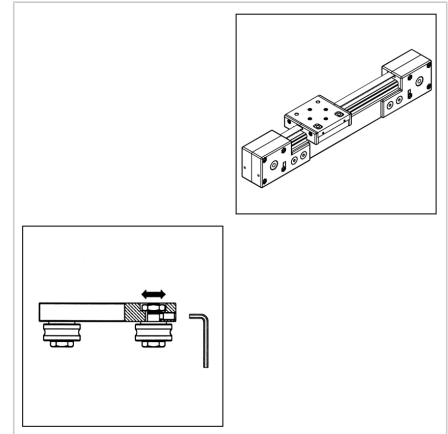
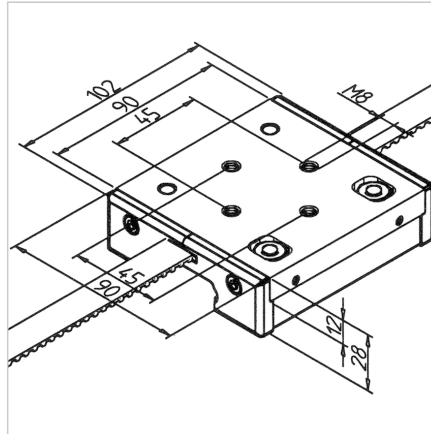


## SLIDE LR 6 Z STAINLESS

Code: 280139/2

LR 6 Z linear slide in stainless steel for precise, reliable, and quiet motion on linear guides.

[Link to the product →](#)



### Technical data/items supplied

- Aluminium + steel
- 4 double row casters LR 6
- Installed with concentric mounting bolts
- Covers with lubricating felt
- Integrated admission for timing belts
- Weight = 0.502 kg/piece

### Applications

- MiniTec linear guide systems LR 6
- Handling devices
- For rail **part no. 280525/0**

### Assembly

- Slip slide onto rail
- Adjust casters with an Allen wrench SW 2.5 free play
- Tighten casters with 15 Nm
- Insert the timing belt into the vehicle and fasten it
- Installed cover caps