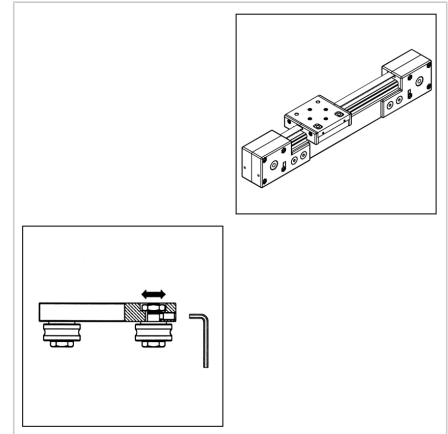
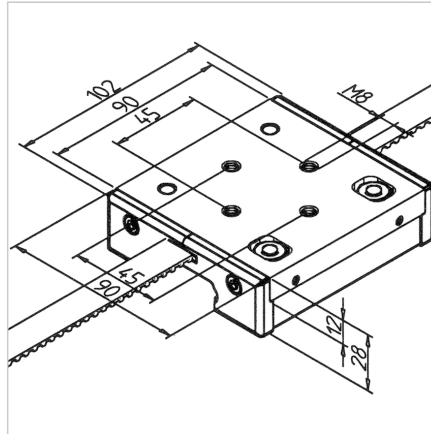


SLIDE LR 6 Z

Code: 280138/2

LR 6 Z linear slide, designed for high precision and quiet operation of linear guides in industrial applications.

[Link to the product →](#)



Technical data/items supplied

- Aluminium, anodized E6/EV1
- 4 double row casters LR 6
- Installed with concentric mounting bolts
- Covers with lubricating felt
- Integrated admission for timing belts
- Stainless version **part no. 280139/2**
- Weight = 0.502 kg/piece

Applications

- MiniTec linear guide systems LR 6
- Handling devices
- For rail **part no. 280525/0**

Assembly

- Slip slide onto rail
- Adjust casters with an Allen wrench SW 2.5 free play
- Tighten casters with 15 Nm
- Insert the timing belt into the vehicle and fasten it
- Installed cover caps