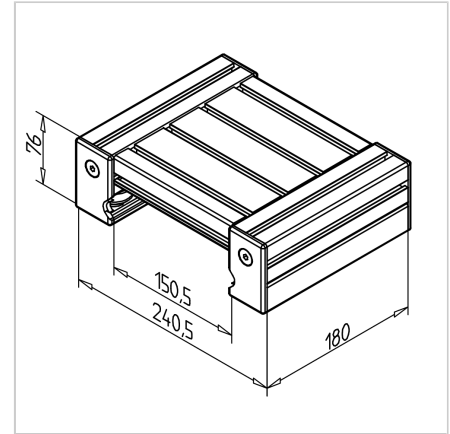
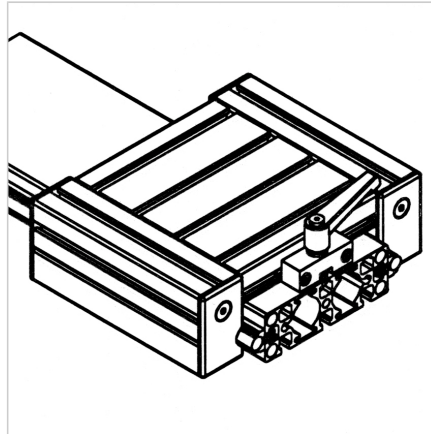


SLIDE LW 135 STAINLESS

Code: 280084/1

LW 135 linear slide in stainless steel for precise, reliable, and quiet motion on linear guides.

[Link to the product →](#)



Technical data/items supplied

- Aluminium + steel
- Fully mounted carriage
- 2 concentric and 2 eccentric bearing units
- End caps LR and Cover profiles LR
- Weight = 3.150 kg/piece

Applications

- 1- or multi-axis guides
- Linear robots
- Handling devices
- Measuring devices
- For rails 135 F

Assembly

- Assemble slide on rail 45 x 135; adjust clearance with eccentric bush
- Install the cover and lubrication system
- Slide clamping unit **part no. 280270/0**