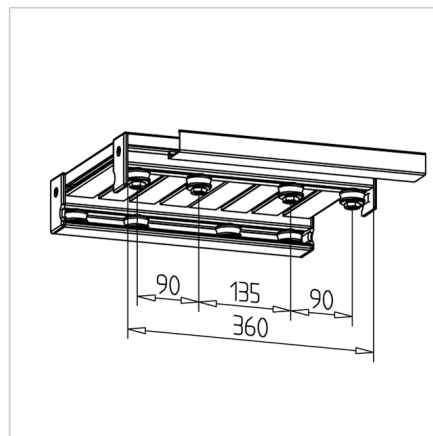
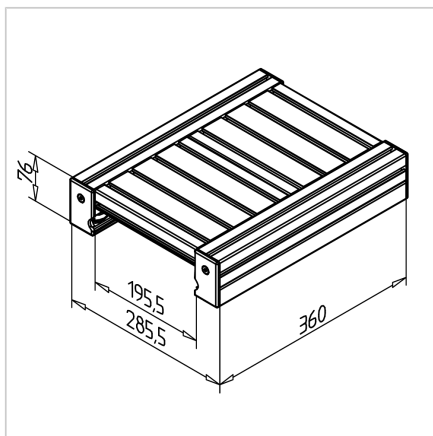


SLIDE LW 180 - L = 360 MM WITH 8 BEARINGS

Code: 280087/3

LW 180 linear slide with 8 bearings for exceptional stability, quiet performance, and precise motion of linear guides in demanding industrial applications

[Link to the product →](#)



Technical data/items supplied

- Aluminium, anodized E6/EV1
- Fully mounted carriage
- With 8 concentric and 8 eccentric bearing units
- End caps LR and Cover profiles LR
- Stainless version **part no. 280087/1**
- Weight = 7.379 kg/piece

Applications

- 1- or multi-axis guides
- Linear robots
- Handling devices
- Measuring devices
- For rails 45 x 180 F and 90 x 180 F

Assembly

- Assemble slide on rail 90 x 180; adjust clearance with eccentric bush
- Install the cover and lubrication system
- Slide clamping unit **part no. 280270/0**