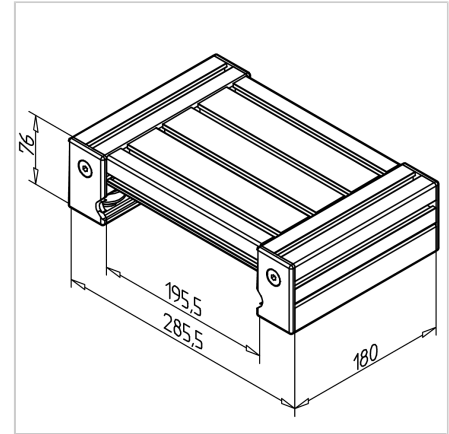
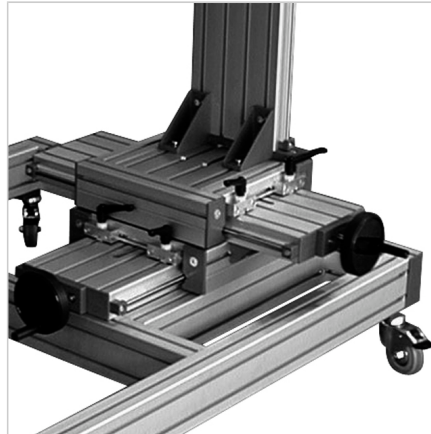


## SLIDE LW 180

Code: 280087/0

LW 180 linear slide, designed for high precision and quiet operation of linear guides in industrial applications.

[Link to the product →](#)



### Technical data/items supplied

- Aluminium, anodized E6/EV1
- Fully mounted carriage
- 2 concentric and 2 eccentric bearing units
- End caps LR and Cover profiles LR
- Stainless version **part no. 280087/1**
- Weight = 3.590 kg/piece

### Applications

- 1- or multi-axis guides
- Linear robots
- Handling devices
- Measuring devices
- For rails 45 x 180 F and 90 x 180 F

### Assembly

- Assemble slide on rail 90 x 180; adjust clearance with eccentric bush
- Install the cover and lubrication system
- Slide clamping unit **part no. 280270/0**