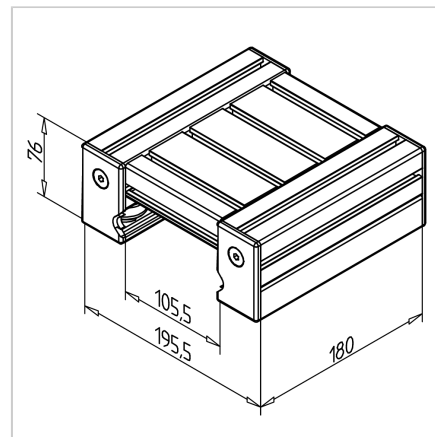
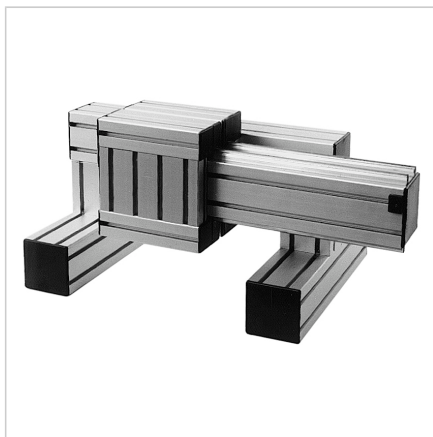


## SLIDE LW 90 STAINLESS

Code: 280092/2

LW 90 linear slide in stainless steel for precise, reliable, and quiet motion on linear guides.

[Link to the product →](#)



### Technical data/items supplied

- Aluminij + jeklo
- Popolnoma sestavljen linearni voziček
- 2 koncentrični in 2 ekscentrični ležajni enoti
- Zaključni pokrovi LR in pokrivni profili LR
- Teža = 2,700 kg/kos

### Applications

- 1- or multi-axis guides
- Linear robots
- Handling devices
- Measuring devices
- For rails 45 x 90 F, 90 x 90, 90 x 180 H

### Assembly

- Assemble slide on rail 45 x 90 F, rail 90 or rail 90 x 180 H; adjust clearance with eccentric bush
- Install the cover and lubrication system
- Slide clamping unit **part no. 280270/0**