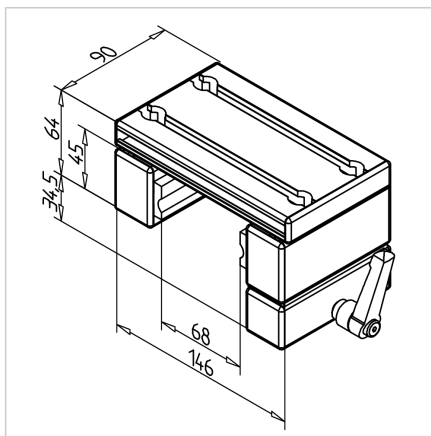
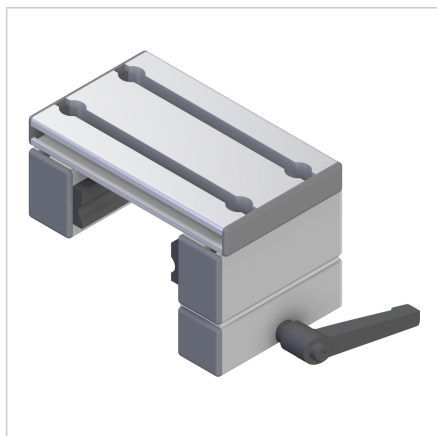


SLIDE LWG 32X45-45 WITH CLAMPING DEVICE LATERAL

Code: 280132/2

Linear carriage LWG 32 x 45 series 45 with lateral clamping unit allows precise adjustment and reliable locking in aluminum profile constructions.

[Link to the product →](#)



Technical data/items supplied

- Aluminium, anodized E6/EV1
- End caps
- Clearance adjusted
- Weight = 0.986 kg/piece

Applications

- Simple linear guides
- Slide units
- For rail 45 with shafts \varnothing 12 mm

Other versions

- Different slide lengths