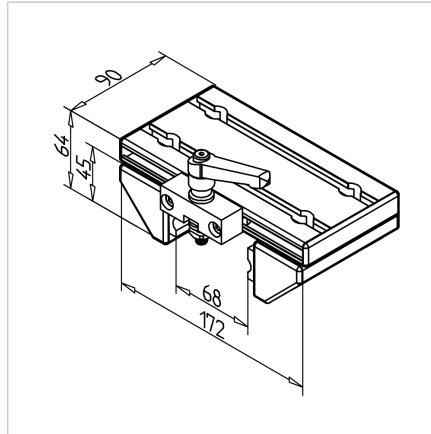
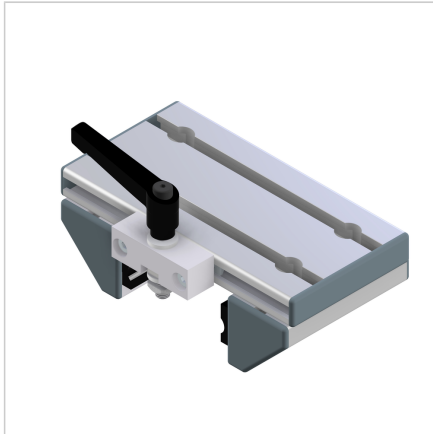


SLIDE LWG 45/45°-45 WITH CLAMPING DEVICE AT TOP

Code: 280136/1

Linear carriage LWG 45/45° series 90 ensures precise and smooth linear motion in aluminum profile constructions.

[Link to the product →](#)



Technical data/items supplied

- Aluminium, anodized E6/EV1
- Fully mounted carriage
- 2 slide rails LG
- End caps
- Load capacity up to 450 N
- Clearance adjusted
- Weight = 0.831 kg/piece

Applications

- Simple linear guides
- Slide units
- For rail 45 with shafts Ø 12 mm

Other versions

- Z zgornjim zaklepnim mehanizmom drsnika **številka dela 280137/1**
- Različne dolžine drsnika