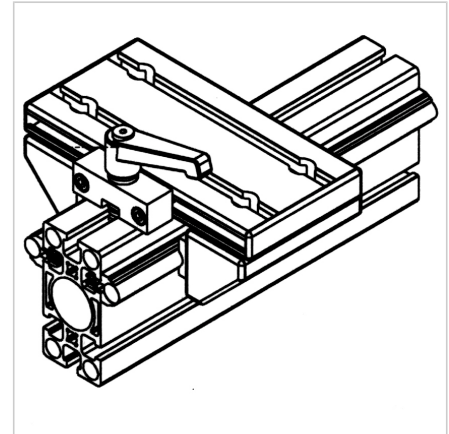
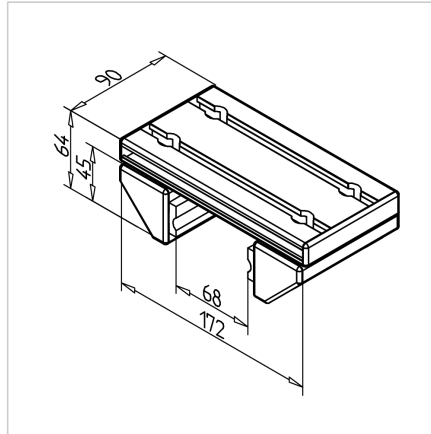
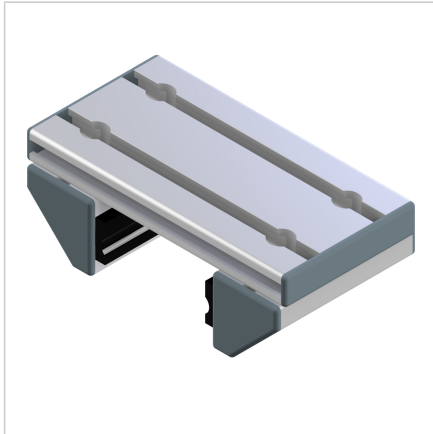


## SLIDE LWG 45/45°-45

Code: 280136/0

Linear carriage LWG 45/45° series 45 ensures precise and smooth linear motion in aluminum profile constructions.

[Link to the product →](#)



### Technical data/items supplied

- Aluminium, anodized E6/EV1
- Fully mounted carriage
- 2 slide rails LG
- End caps
- Load capacity up to 450 N
- Clearance adjusted
- Weight = 0.741 kg/piece

### Applications

- Simple linear guides
- Slide units
- For rail 45 with shafts Ø 12 mm

### Other versions

- With slide clamping at top **part no.** [280136/1](#)
- Different slide lengths