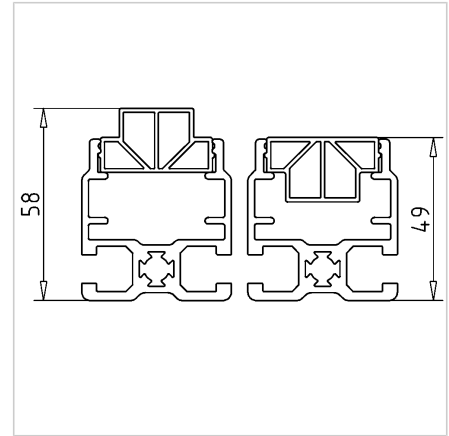
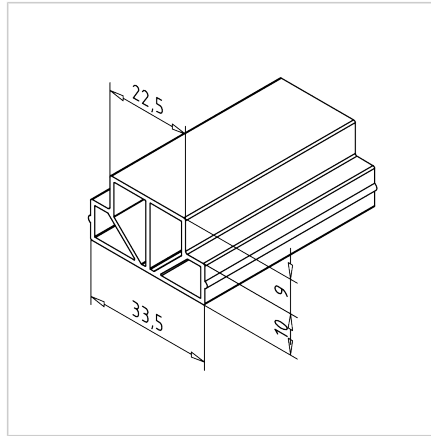
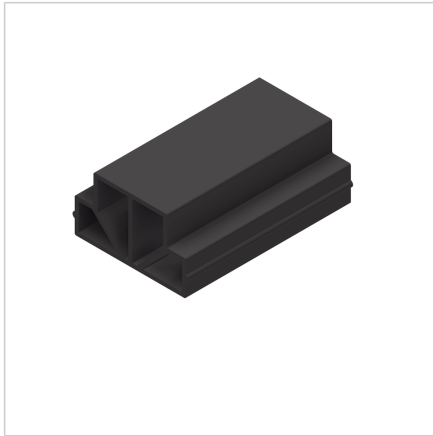


SLIDE PROFIL - FRS L=2m

Code: 320691/0

[Link to the product →](#)



Technical data/items supplied

- PE, black
- ESD-compatible
- System height (SH): 49 or 58 mm depending on installation position
- Weight = 0.162 kg/m
- Bar length = 2 m

Applications

- Installed in profile 45 FRS **article no. 201152/0** as sliding surface for moving material.
- Can be used to brake conveyed material that has passed over rollers on the sliding surface.

Assembly

- Can be clipped or pushed into the profile.
- Spacer **article no. 320693/0** can be used to fix the component in the profile.
- The component can be fixed with **article no. 320694/0**, at the same time, it forms an end stop for the conveyed material.