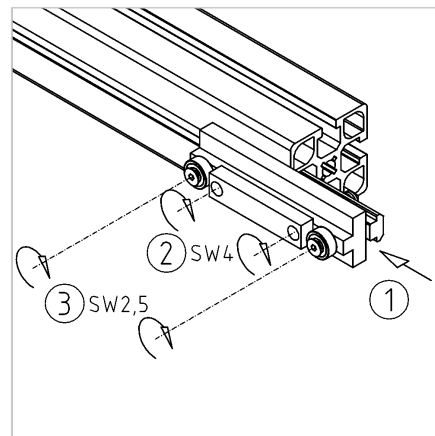
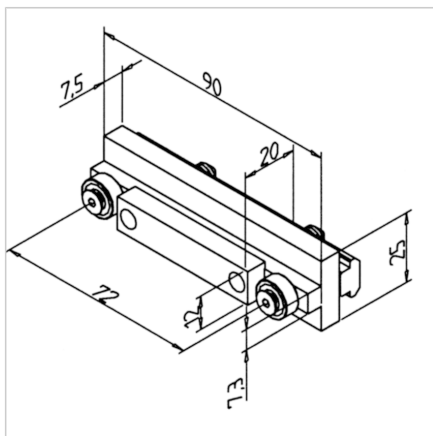
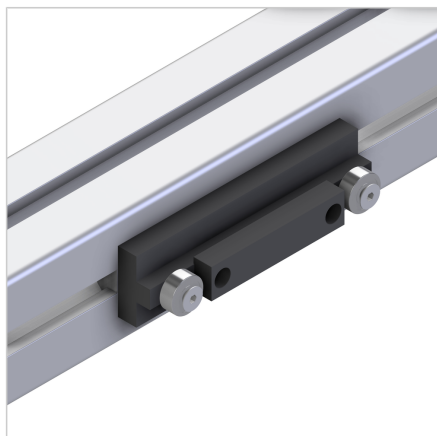


SLIDE-ROLL ELEMENT

Code: 211796/0

Slide-roll element for lifting doors provides smooth movement within the groove of vertical profiles. Ideal for supporting workpieces, slides, and brackets.

[Link to the product →](#)



Technical data/items supplied

- PE-UHMW, black
- 1 T-slot bar, steel, zinc plated
- 2 ball bearings, pre-assembled
- Weight = 0.094 kg/piece

Applications

- Guide for lifting doors in the groove of the vertical profile
- Moving parts
- Bearing of workpieces, slides, brackets

Assembly

1. Insert pre-assembled slide roller element in profile groove
2. Fasten in the desired position with Allen wrench SW4
3. Tighten self-locking screws with Allen wrench SW2.5