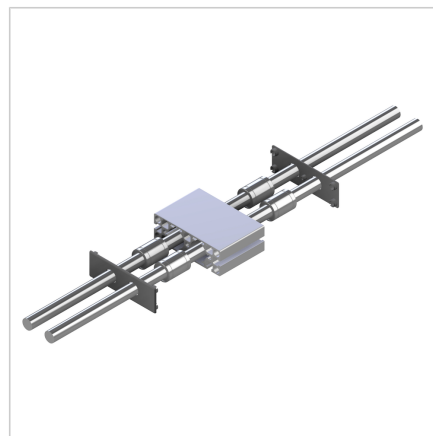
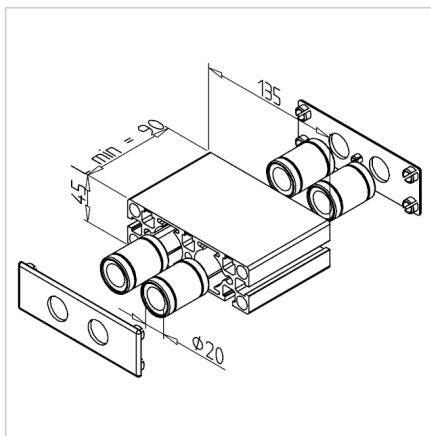
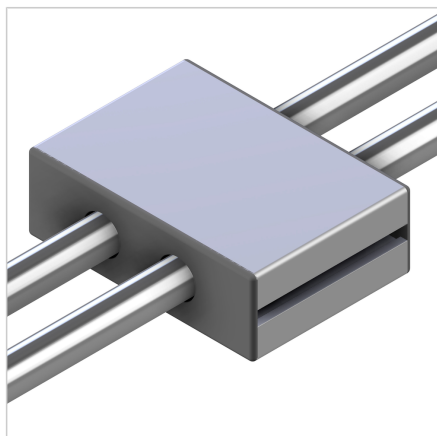


## SLIDES LB 45X135 L = 90 MM GREY

Code: 280155/0

Linear carriage LB 45 x 135 provides precise linear motion for single or multi-axis linear systems in industrial applications.

[Link to the product →](#)



### Technical data/items supplied

- Aluminium, anodized E6/EV1
- Standard length (L) 90 mm
- Profile 45 x 135
- Fully assembled with 2 ball bearing bushings LME 20 UU
- Profile face covered with end caps LB 45 x 135, grey
- **Other lengths on request**
- Weight = 0.865 kg/piece

### Applications

- All MiniTec linear systems LB

### Assembly

- Lead shaft through slide