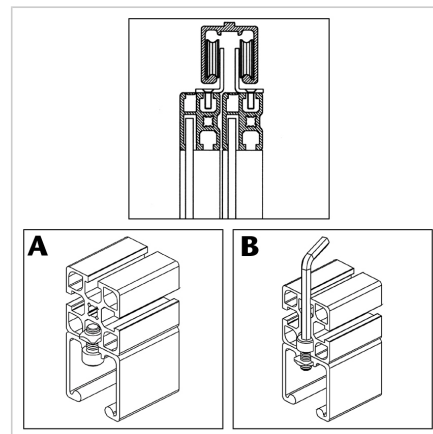
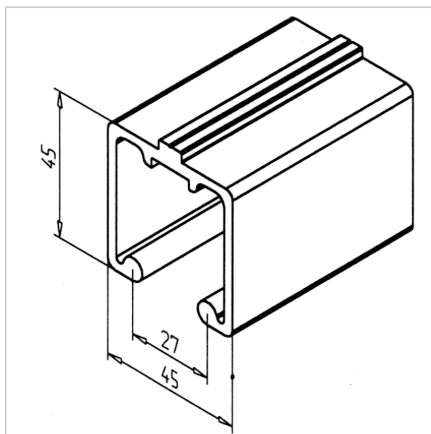
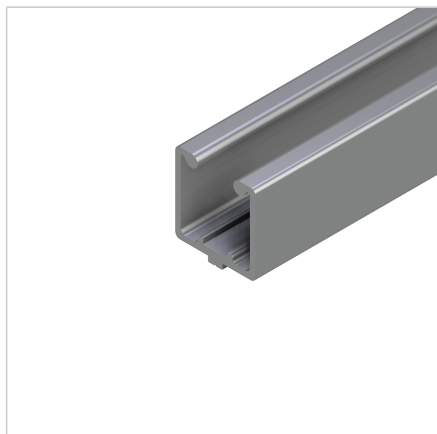


SLIDING DOOR PROFILE

Code: 201038/0

Alu profile for sliding doors. Explore our aluminium profile system - strong, modular, and easy to assemble.

[Link to the product →](#)



Technical data/items supplied

- Aluminium, extruded, anodized E6/EV1
- $I_x = 15.347 \text{ cm}^4$
- $I_y = 15.597 \text{ cm}^4$
- $w_x = 5.912 \text{ cm}^3$
- $w_y = 6.932 \text{ cm}^3$
- $IT = 0.726 \text{ cm}^4$
- Weight = 1.470 kg/m
- Bar length = 6 m
- Packing unit = 48 m

Applications

- Multi-leaf sliding doors
- Single-leaf sliding doors

Assembly

- Drill $\varnothing 8,5$ mm holes in centering groove; bore pitch: 250 - 400 mm depending on the load
- A) Position M8 F square nuts in the supporting profile and fasten the sliding door profile with M8 x 25 hex socket cap screw
- B) Drill through or step holes into the carrier profile and insert square nut into the profile of the runner. Nuts are torsion-proof