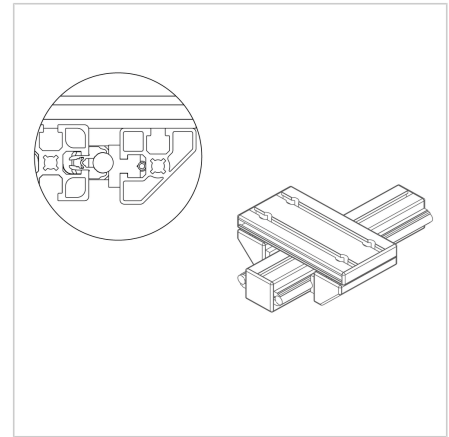
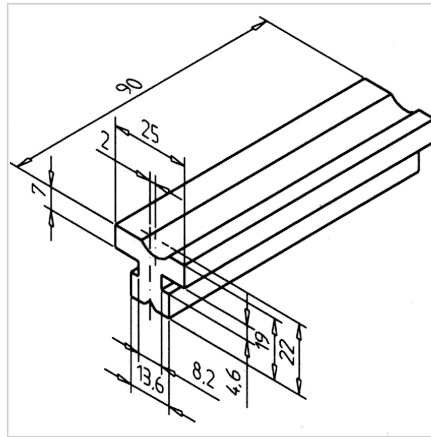


## SLIDING STRIP LG

Code: 221094/0

Linear slide rail LG for aluminum profiles ensures precise and smooth movement of sliding doors, drawers, and adjusting units in linear systems.

[Link to the product →](#)



### Technical data/items supplied

- PE-UHMW, black
- Fastening kit
- Allowed panel pressure: max. 10 N/mm<sup>2</sup>
- Weight = 0.029 kg/piece

### Applications

- Slide guides LG

### Assembly

- Insert into groove of lateral guide profile
- Secure with fastening material