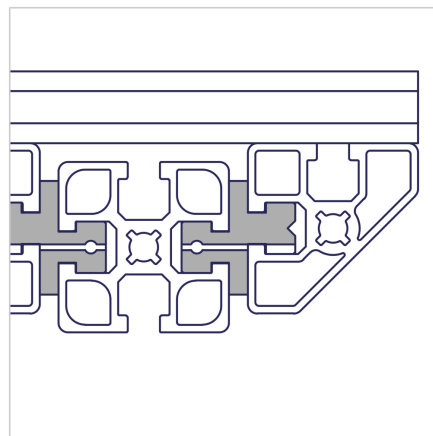
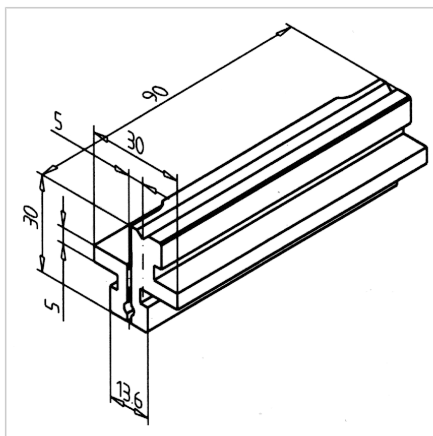


SLIDING STRIP LN

Code: 221095/0

Linear slide rail LN for aluminum profiles ensures precise and smooth movement of sliding doors, drawers, and adjusting units in linear systems.

[Link to the product →](#)



Technical data/items supplied

- PE-UHMW, black
- Fastening kit
- Allowed panel pressure: max. 10 N/mm²
- Weight = 0.030 kg/piece

Applications

- Slide guides LN
- Adjusting units
- Heavy sliding doors
- Drawers

Assembly

- Connect with slide plate
- Insert into grooves of the guide profile
- Adjust without clearance, use fastening kit