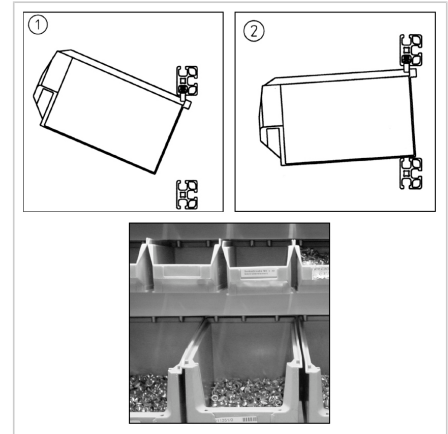
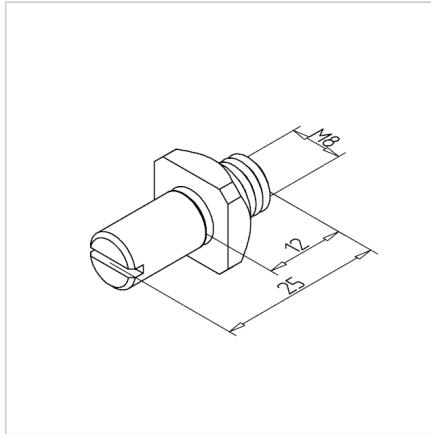
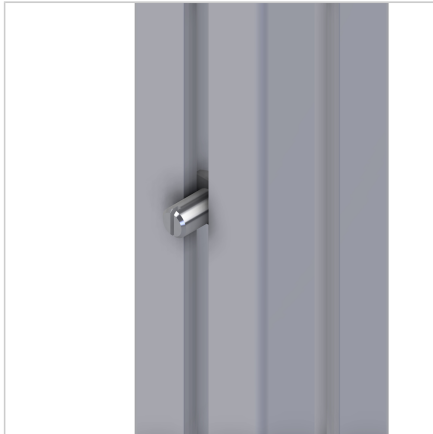


## SNAP BOLT 25 STAINLESS

Code: 211758/1

Stainless snap 25 mm bolt for securing bins and drawers, designed for stable and quick installation on industrial shelving.

[Link to the product →](#)



### Technical data/items supplied

- Stainless steel
- Weight = 0.012 kg/piece

### Applications

- Holder of grab containers, oddment boxes
- Support plates

### Assembly

- Tighten in profile groove with sliding nut