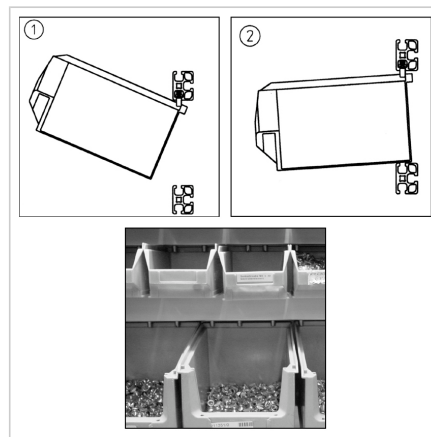
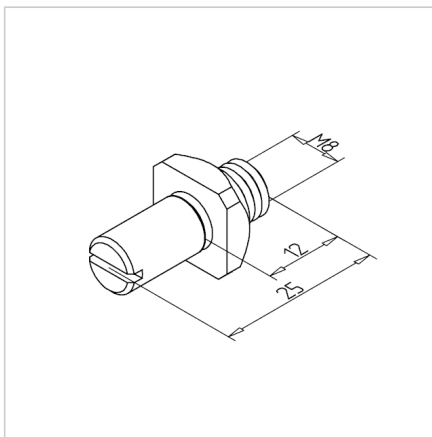
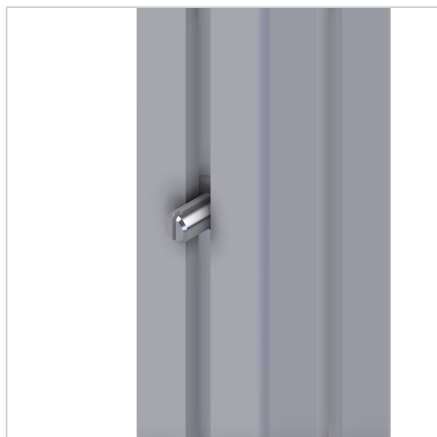


SNAP BOLT 25

Code: 211758/0

Snap bolt 25 mm for securing bins and drawers, designed for stable and quick installation on industrial shelving.

[Link to the product →](#)



Technical data/items supplied

- Steel, galvanized
- Stainless version **part no. 211758/1**
- Weight = 0.012 kg/piece

Applications

- Holder of grab containers, oddment boxes
- Support plates

Assembly

- Tighten in profile groove with sliding nut