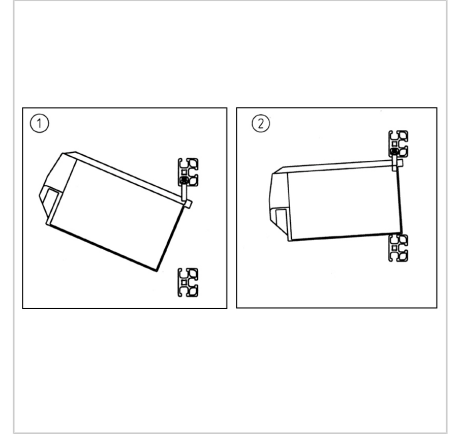
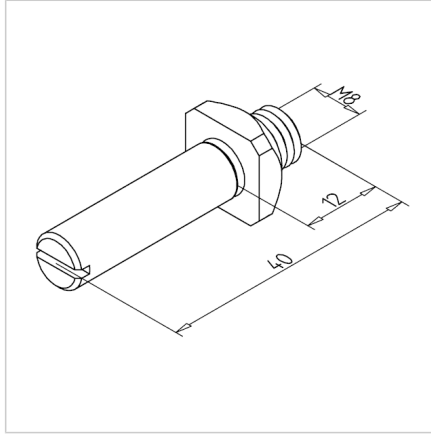
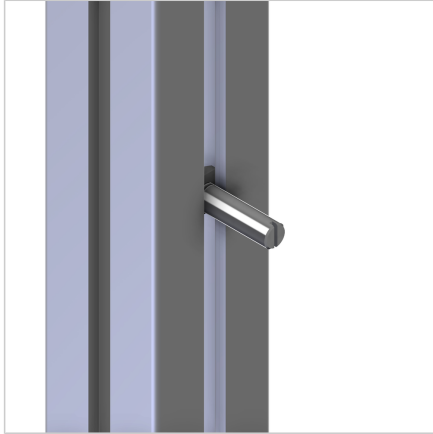


SNAP BOLT 40

Code: 211760/0

Snap bolt 40 mm for securing bins and drawers, designed for stable and quick installation on industrial shelving.

[Link to the product →](#)



Technical data/items supplied

- Stainless steel
- Weight = 0.020 kg/piece

Applications

- Holder of grab containers, oddment boxes
- Support plates

Assembly

- Tighten in profile groove with sliding nut