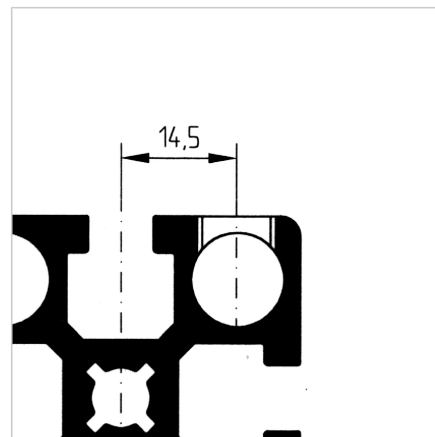
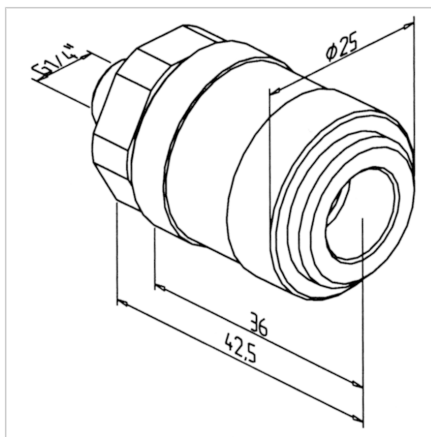
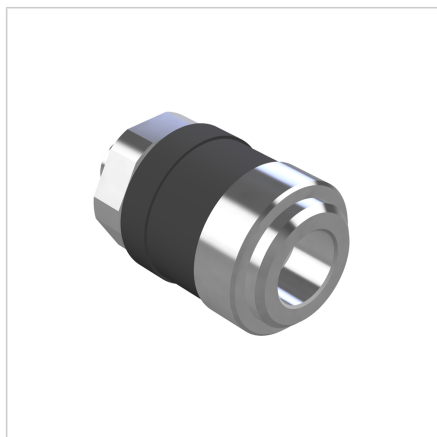


SNAP COUPLING G 1/4"

Code: 241110/0

[Link to the product →](#)



Technical data/items supplied

- Brass, nickel-plated
- NW 7 mm
- Connecting thread G 1/4", SW 22
- Weight = 0.087 kg/piece

Applications

- To connect directly to the profile panel or frontally at the bore $\varnothing 11.7$ mm

Assembly

- Thread G 1/4 in profile face, distance thread centre from centre of profile groove: 14.5 mm