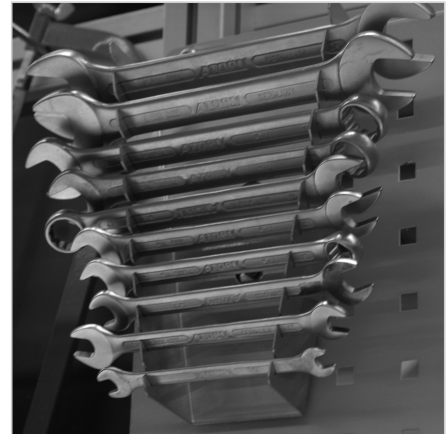
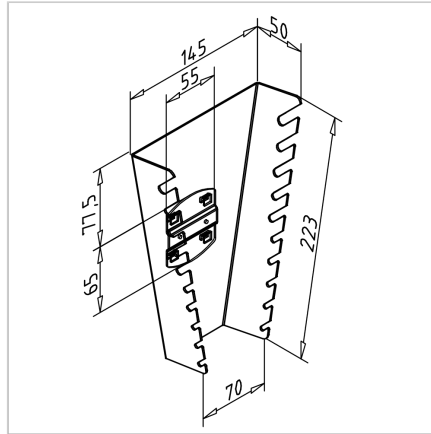
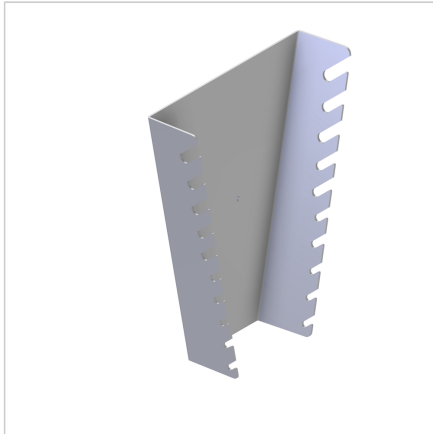


SOCKET WRENCH HOLDER VERTICAL FOR 10 SOCKETS

Code: 320521/0

Spanner holder rack optimizes space, allows size-based organization, and ensures secure storage of wrenches.

[Link to the product →](#)



Technical data/items supplied

- Steel, Pressure die-casting, powder-coated, grey
- Aluminum colored
- Plastic coated
- Individually packaged incl. screws
- Weight = 0.725 kg/piece

Applications

- Holder for open-end spanners or ring spanners 1 x 7.5 x 30 mm, 2 x 6.5 x 23 mm, 2 x 5.5 x 20 mm, 2 x 4.5 x 15 mm, 3 x 4.0 x 10 mm

Assembly

- Hook in the carrier plate and secure with the enclosed screw