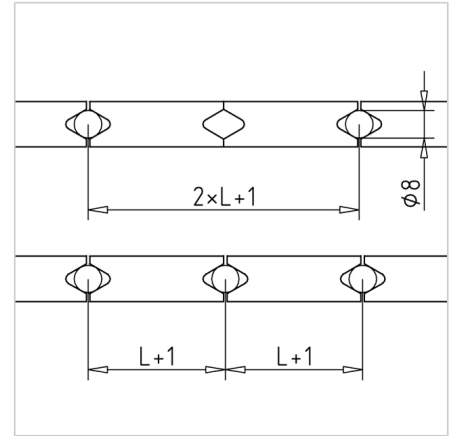
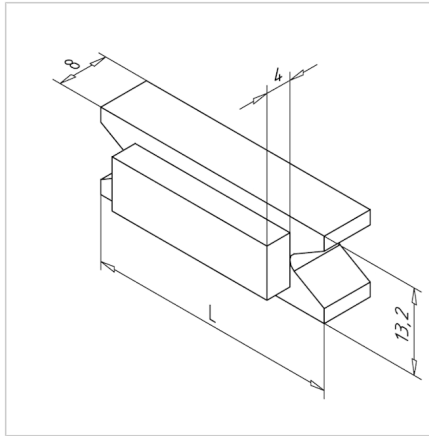
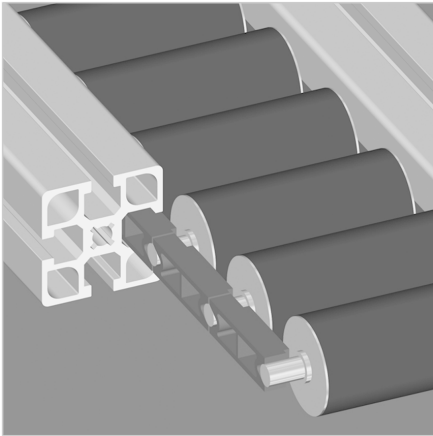


## SPACER 44

Code: 221198/0

[Link to the product →](#)



### Technical data/items supplied

- PP, black
- L = 44 mm
- For shaft  $\varnothing 8$  mm
- Weight = 0.003 kg/piece

### Applications

- For manufacturing roller conveyors with same or different pitch distances
- Suitable for all system grooves
- A large number of different pitches can be implemented, particularly by combining spacer 39 and spacer 44
- For use with our conveyor rollers 50-25 or conveyor rollers S 50-25
- If smaller roller diameters are used, the max. smallest roller pitch achievable is 45 mm

### Assembly

- Alternately push the spacer and conveyor roller into the groove
- Clamp the first and the last spacer