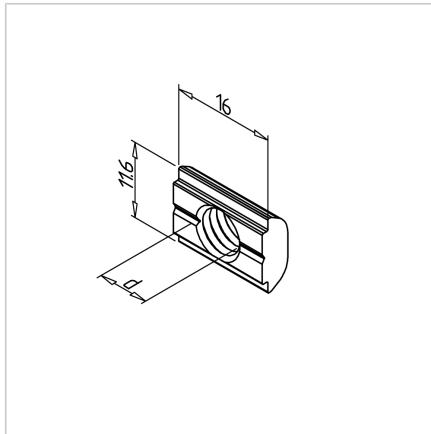
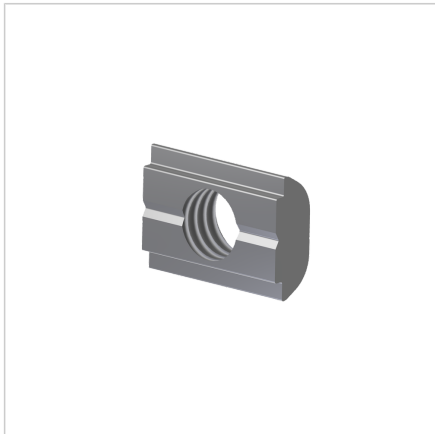


SQUARE-NUT 30 M08

Code: 211570/1

Square nuts size 30 M8 for strong and reliable fastening in aluminium constructions and industrial applications. Easy installation and long-lasting durability.

[Link to the product →](#)



Technical data/items supplied

- Steel, galvanized
- Thread (d) : M 8
- Weight = 0.003 kg/piece

Applications

- For swinging in, for profile 30x30
- For power-lock fastener N30