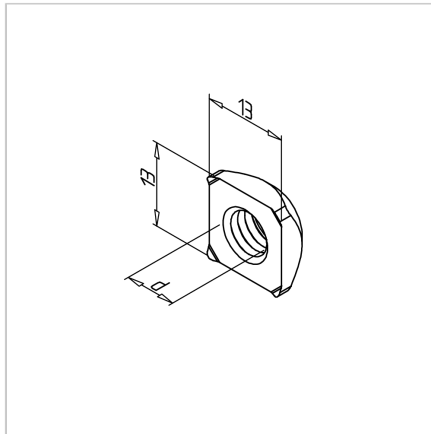


SQUARE NUT M5 Z POCINKANA

Code: 211627/0

Square nut M5 Z, galvanized with ESD protection. Reliable fastening in ESD-sensitive constructions made of aluminium profiles.

[Link to the product →](#)



Technical data/items supplied

- Steel, galvanized
- Thread (d) : M 5
- Weight = 0.005 kg/piece