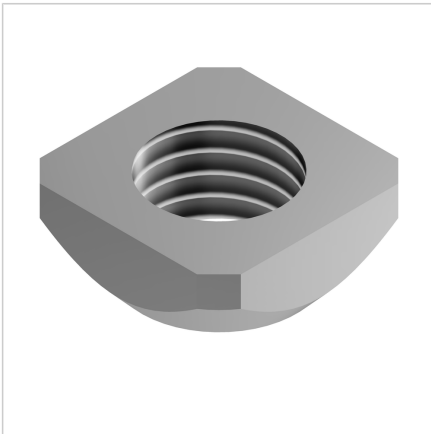


## SQUARE-NUT M5

Code: 211320/0

Square nut M5 x 13 with position-fixing, designed for precise and secure fastening in aluminium profile systems. Prevents rotation for stable assemblies.

[Link to the product →](#)



### Technical data/items supplied

- Steel, galvanized
- Thread (d) : M 5
- Weight = 0.005 kg/piece