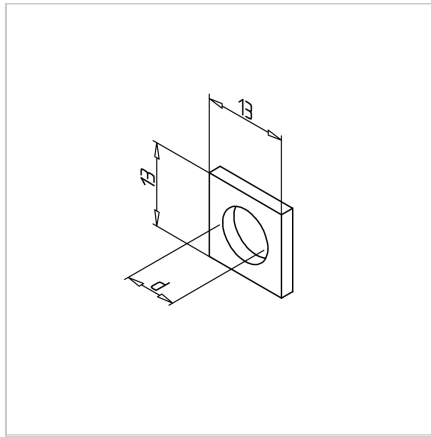
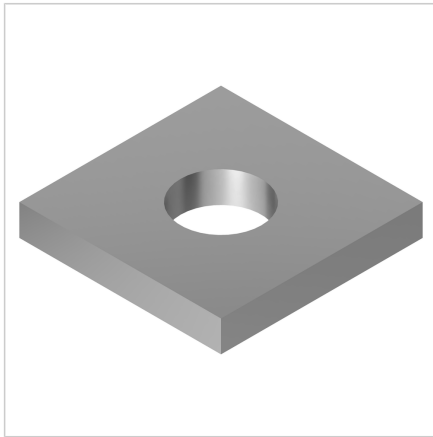


SQUARE WASHER 5

Code: 211362/0

Square washer 5 for even force distribution when fastening aluminium profiles. Ensures stable connections and protects surface areas.

[Link to the product →](#)



Technical data/items supplied

- Steel, galvanized
- Diameter (d) : 5.2 mm
- Weight = 0.002 kg/piece