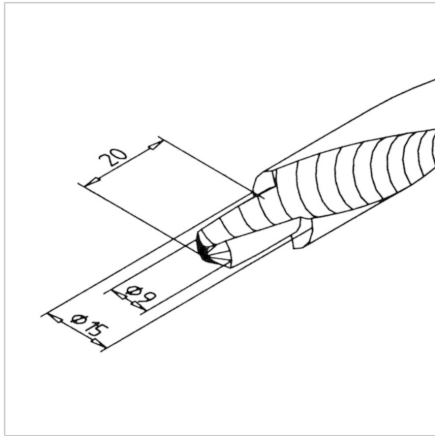


STEP DRILL 15

Code: 261815/0

[Link to the product →](#)



Technical data/items supplied

- HSS-tool steel
- Steps \varnothing 9 mm / \varnothing 15 mm
- Shaft cylindrical \varnothing 15 mm
- Weight = 0.135 kg/piece

Applications

- Producing stepped bores for connectors and butt joints 15 in profiles of the series 45, narrow sides 19 and 32