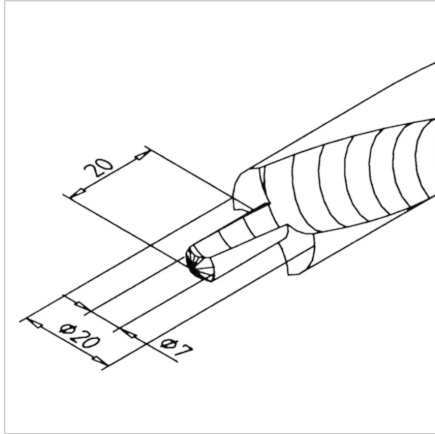


STEP DRILL 20

Code: 261813/0

[Link to the product →](#)



Technical data/items supplied

- HSS-tool steel
- Steps $\varnothing 7$ mm / $\varnothing 20$ mm
- Shaft MK 2
- Weight = 0.265 kg/piece

Applications

- Producing stepped bores for connectors and butt joints 20 in profiles of the series 45